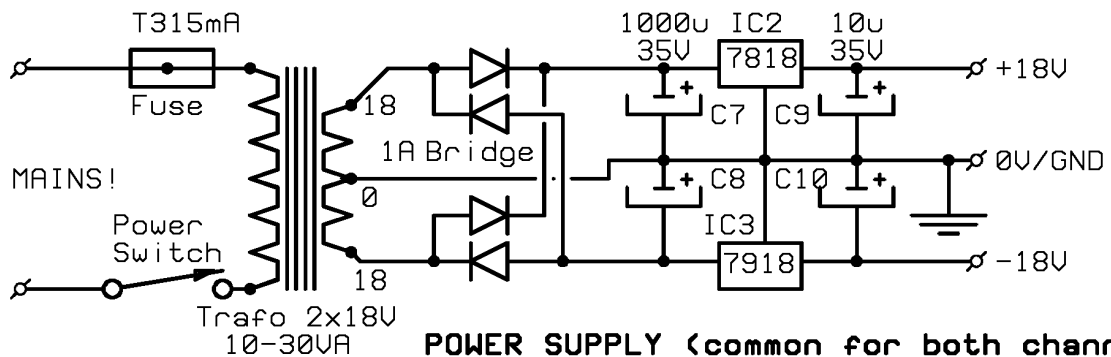
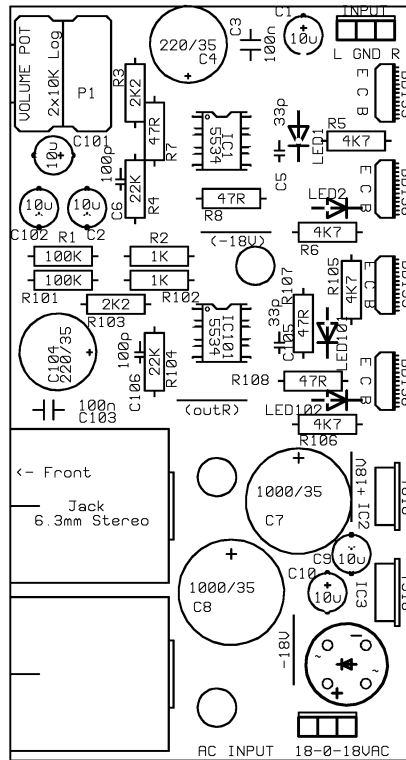


AMPLIFIER
 Only One channel shown -
 Repeat for other channel
 Ch2 component numbers +100
 LED's = Standard Red

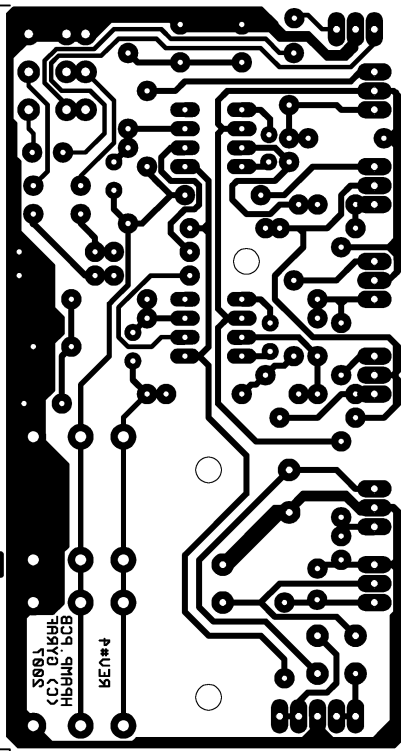
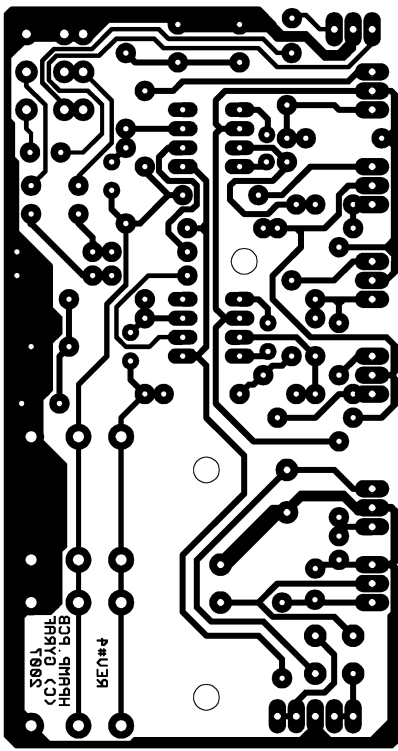
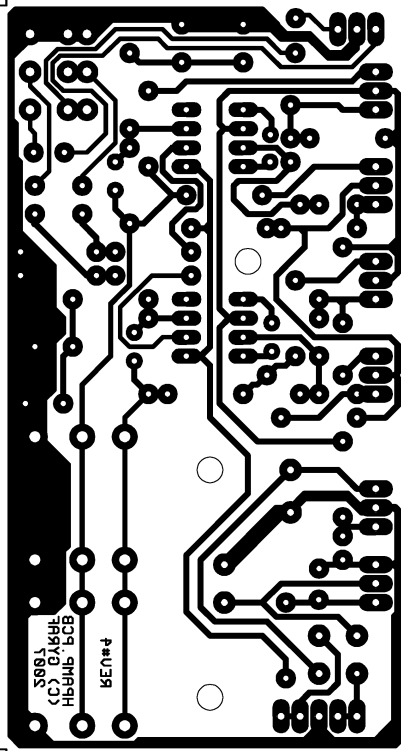


POWER SUPPLY (common for both channels)

Gyraf Audio www.gyraf.dk	
Rev no # 3	Date 10-2007
Subject: Headphoneamp	
Filename: HPAMP.SCH	
Size:	Mount:



Gyraf Audio	
Rev no# 5	Date 11-2007
Subject: Headphone Amp - High-power Board size 99.7x53.3mm	
Filename: HPAMP_PCB	
Edited	Date 11-2007



Gyraf HP- Amp Components

Resistors, 1/4W or 1/2W:

47R x4 (R6, 7, 106, 107)
1K x2 (R2, 102)
2K2 x2 (R3, 103)
4K7 x4 (R5, 6, 105, 106)
22K x2 (R4, 1049)
100K x2 (R1, 101)

Capacitors:

33p cer. x2 (C5, 105)
100p cer. x2 (C6, 106)
100n poly 5mm x2 (C3, 103)
10uF/35V electrolytic x6
(C1, 2, 9, 10, 101, 102)
220uF/35V electrolytic x2 (C4, 104)
1000uF/35V electrolytic x2 (C7, 8)

Active:

Red std. Led x4 (LED1, 2, 101, 102)
Bridge rectifier 1A x1
7818 regulator x1 (IC2)
7918 regulator x1 (IC3)
NE5534 x2 (IC1, 101)
BD139 NPN trans. x2 (T1, 101)
BD140 PNP trans. x2 (T2, 102)

Misc. :

10K Log Stereo Pot x1 (P1)
6.3mm Stereo jack for pcb x2
8-pin DIL-socket for IC's
3-pin molex connector 2.54mm x2
3-pin molex header 2.54mm x2
wire links 10mm x4

Power transformer 2x18V min. 10VA